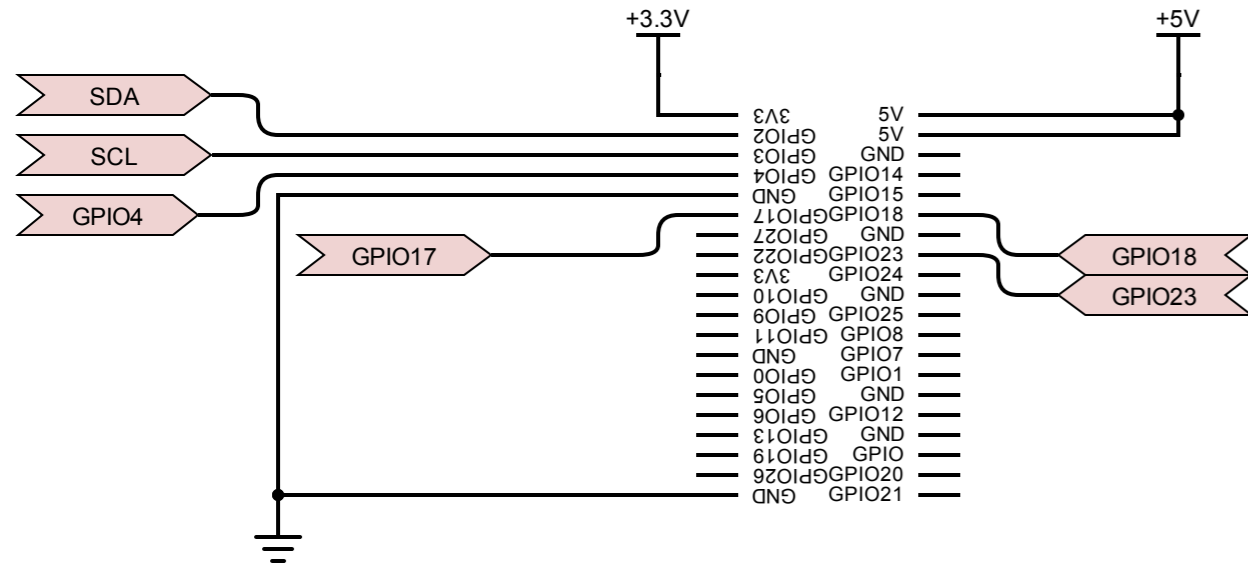
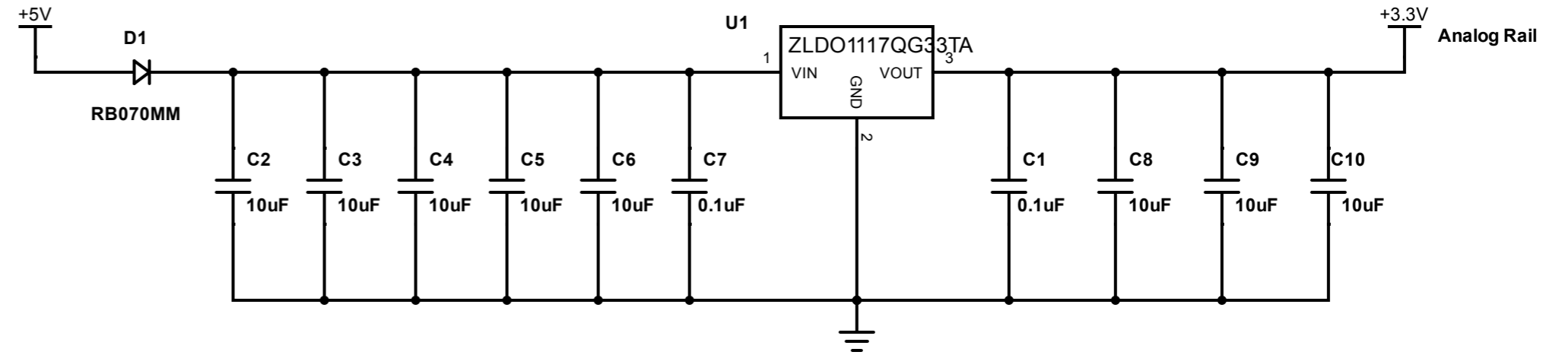


Raspberry Pi Zero WeatherHAT – Assembled

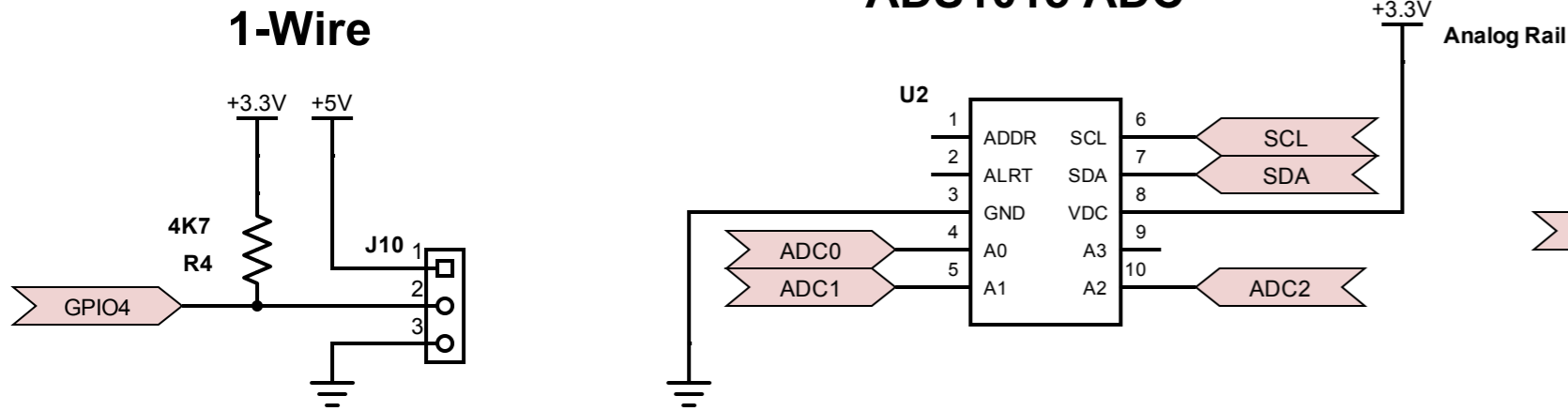
Raspberry Pi GPIO



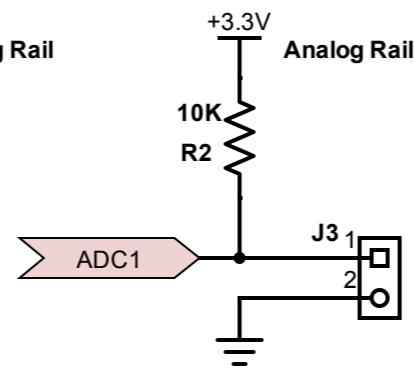
Regulator



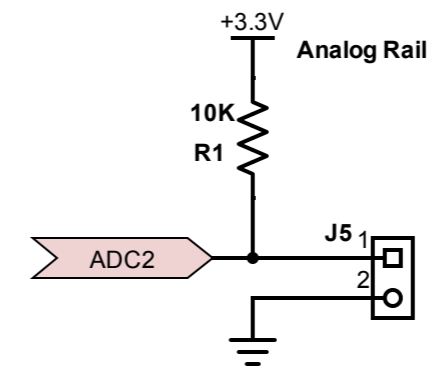
ADS1015 ADC



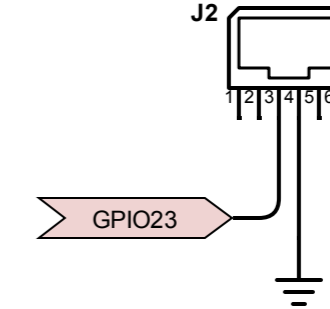
CDS Header



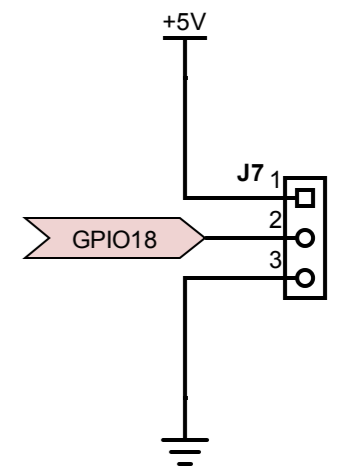
THERM Header



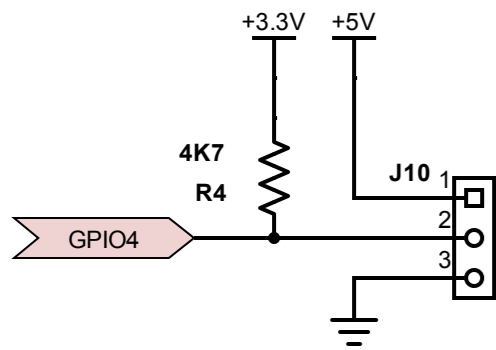
Rain



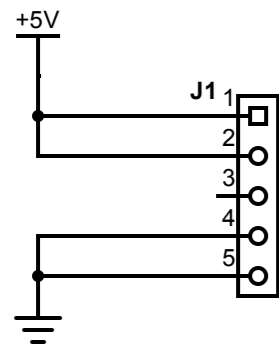
Servo Header



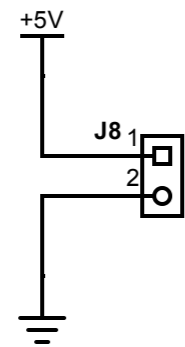
1-Wire



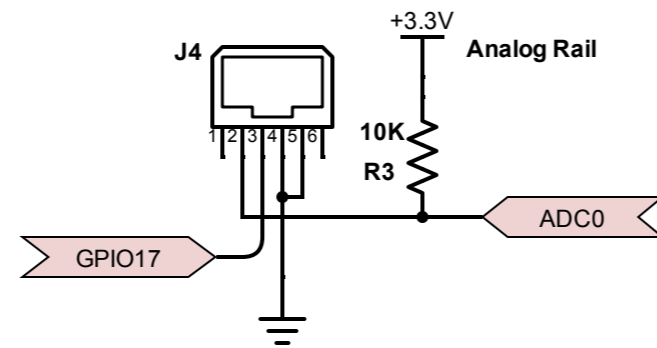
PWR



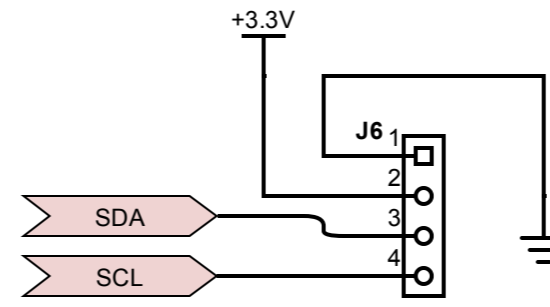
5V Fan Power



Wind



QWIIC



Raspberry Pi Zero WeatherHAT – Assembled

SKU: RAS-220
 Updated: 03/05/24
 Revision: V1.0

<https://bc-robotics.com>

BC Robotics Inc.
 Sheet: 1/1